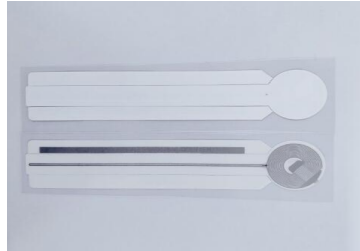


防水防伪可打印高频标签

Water Proof IP65 Tamper Proof Printable HF NFC Tag



基本参数/Basic Parameters

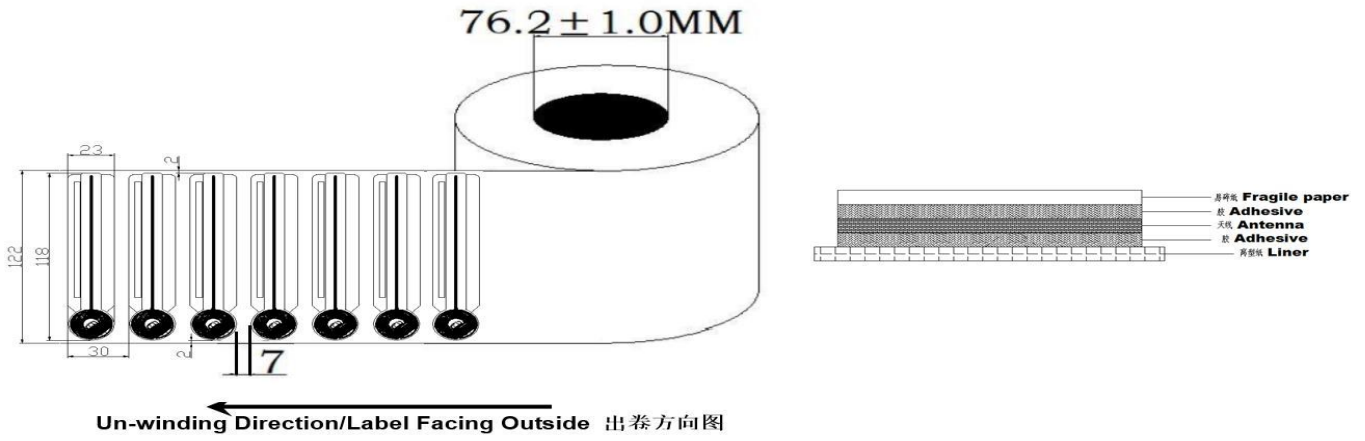
尺寸/Size (L/OD x W/ID x H)	118*23*0.1mm(ID & OD圆形内外径/ID & OD means inner & outer diameter of round tag)
面材封装/FaceStock or Housing	可打印易碎纸/Printable Brittle Paper
安装方法/Installation	胶粘/Adhesive
天线工艺/Antenna Type	铝天线/Aluminum Antenna
技术/Technology	平面微带/Microstrip Flat Style
离型纸/Backing Liner	单面离型透明PET/Single Silicon & Transparent PET Liner
特征/Characters	防伪(Tamper Proof)

产品特性/Product Feature

芯片/Chip Model	NXP NTAG213TT(NT2H1311TT)
协议/Protocol	ISO14443A
频率范围/Operating Frequency	13.0-14.5Mhz
内存/Memory	TID/UID + EPC/Block + User + Reserve
读距/Reading Range	3cm (depends on reader)
应 介质/Applicable Surface	空气(Air-free)
个性化选项/Option	定制彩色印刷条码文本或个性化编码 Custom color printing(Embossing or laser-engraving) with barcode or text & personalization encoding
附加说明/Additional	背胶使用热熔胶/压敏胶Back Adhesive: Hot Melt Adhesive/Pressure-sensitive Adhesive

供货方式/Delivery & Supply Format

卷料供货每卷数量 1000-3000片(特殊要求见附加说明) Supply in roll with 1000-3000PCS/Roll(Check Additional Note for your specific needs)



应用场景/Application

棒棒糖帽口标签（可打印）红酒标签，广泛使用在香烟、酒品（如红酒，啤酒、白酒等）、化妆品、药品、农药、农副产品、食品、动物溯源、零配件领域，以实现产品的标识、跟踪、及溯源查询或监管，包括物流供应链、数字化仓储、溯源监管，以及相关涉密文件档案、信件、支票发票、证件、考试试卷案宗，如学生证、监狱犯人档案、银行汇票、文件袋封签、箱封、产品QC/保修封条等等。Most use case of printable candy style wine seal tag are for Tobacco/Cigarette, Liquors(white wine/black wine/beer/whisky), cosmetic, medicine, drug/medicine, Farm chemical like pesticide, food, animal traceability, spare part anti-fake tracking as a product identification for item/goods tracking, monitoring and supervision management. Including logistics supply chain, digital warehousing, source traceability, even more related security document and confidential files, letters, ticket, bank proof, certification, exam paper, special document seal like the prisoner's profile and so on document management, box seal, product QC sticker/warranty seal and so on.



环境参数/Environmental Parameter

数据保存/Data EEPROM Retention	10years
静电保护/ESD Limited Voltage	2KV
工作温度/Operating Temperature	-35℃ - 85℃
储存温度/Storage Temperature	0℃ - 25℃
操作湿度/Relative Humidity	10%-95%(Variant Performance)

兼容打印机/Compatible Printers

佐藤/SATO	CL4NX
斑马/Zebra	ZT411RFID
博思得/POSTEK	TX Series
东芝/TOSHIBA	SX-4T SX-5T

NOTE:The specification is subject to change without prior notice

批准 Approved By: 制作审核 Prepared & Checked By: 李开泉
 日期 Date: 2020/08/21 日期 Date: 2020/10/31